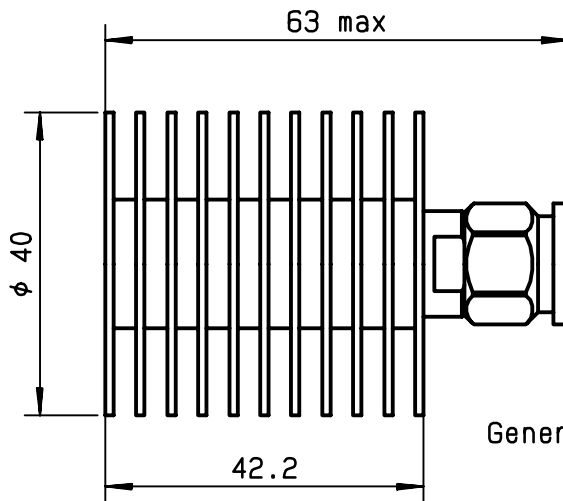


TITLE: 20 W 18GHz TNC/m COAXIAL TERMINATION

LTR. B

DRAWING



General tolerances: +/- 0.5 mm

ELECTRICAL CHARACTERISTICS

FREQUENCY RANGE	: DC - 18GHz
IMPEDANCE	: 50 Ohms
DC RESISTANCE	: 50 Ohms ± 5%
AVERAGE POWER HANDLING	: 20 W at 25°C
PEAK POWER HANDLING	: 300 W (1 μs, 1%.) at 25°C
V.S.W.R :	
DC - 8 GHz	: ≤ 1.20
8 - 12.4 GHz	: ≤ 1.25
12.4 - 18 GHz	: ≤ 1.35

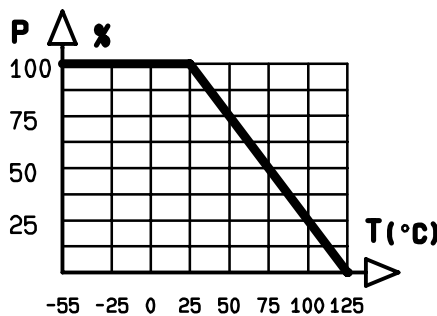
MECHANICAL CHARACTERISTICS

CONNECTOR	: TNC male per MIL C 39012
MAXIMUM WEIGHT	: 85 grams

ENVIRONMENTAL CHARACTERISTICS

OPERATING TEMPERATURE RANGE (°C)	: -55 , +125
STORAGE TEMPERATURE RANGE (°C)	: -55 , +125

Power derating Versus temperature



Tentative data subject to change without notice

PEN CAT	QUALITY Dpt App.				
PAGE 1 / 1	DATE 01.03.90	NAME DP	B	New format	22.10.92 PG
			LTR	REVISIONS	DATE APP.